

Important Notices

- This product must be installed in accordance with applicable national and local electrical and construction codes by a person familiar with the construction and operation of the product and the hazards involved. Failure to comply with the following installation instructions may result in death or serious injury.
- Do not stare at the operating light source.
- The fixture might be damaged by excess voltage. The installation of an overvoltage protection device on the electrical system (SPD) is recommended for reduce the risk of damage.
- The use of an adequate magnetothermic switch along the power supply line is recommended.
- Connect the fixtures to each other only when disconnected from mains.
- Never leave cables and connectors unconnected or unprotected for long periods.
- Disconnect power before installing or servicing to avoid electrical shock.
- Disconnect power before any connection operation.
- Check voltage and frequency before powering the fixture. Do not exceed fixture specified voltage.
- Do not handle the unit with wet hands or in wet environments.
- Apply to qualified staff for any maintenance service not described in this instructions manual.
- Do not exceed the maximum quantity of fixtures per line in order to avoid power surges.
- Before powering the unit, ensure to use cables and connectors with proper section and length, according to its power consumption.
- Fix the projector by using screws, hooks or other adequate supports that can bear its weight.



CAUTION: Prolonged staring at the LED source should be avoided by placing the fixture in a proper position.

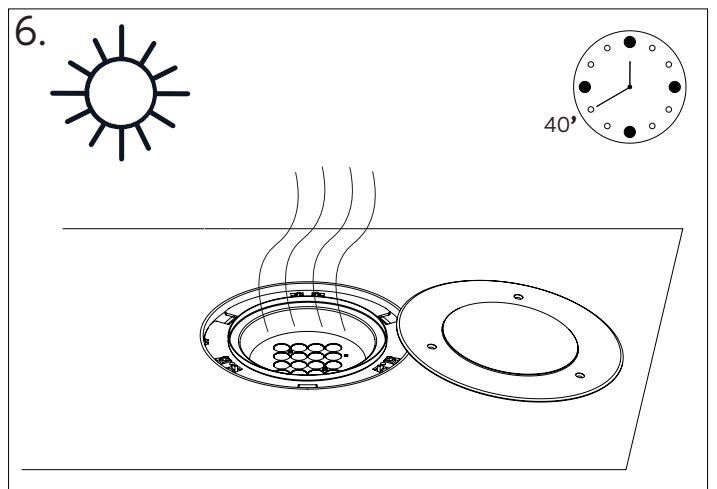
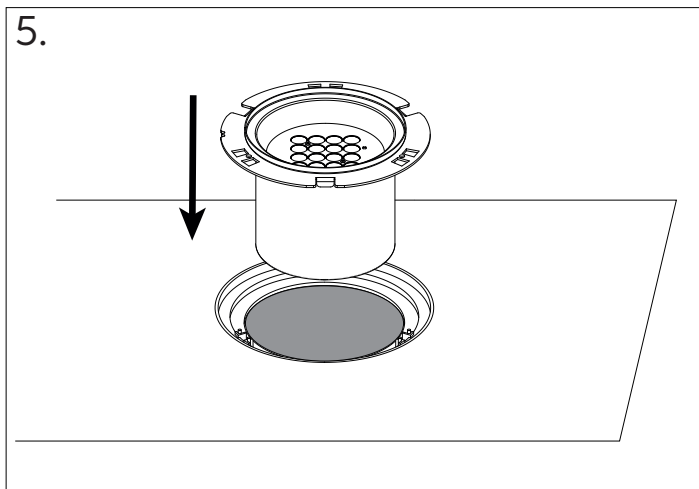
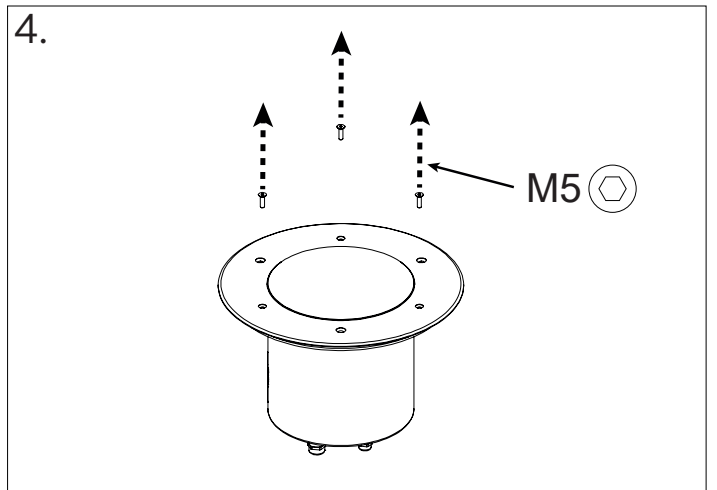
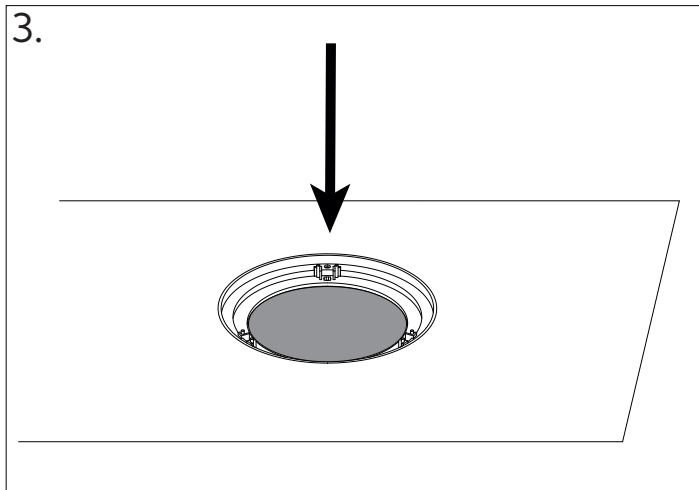
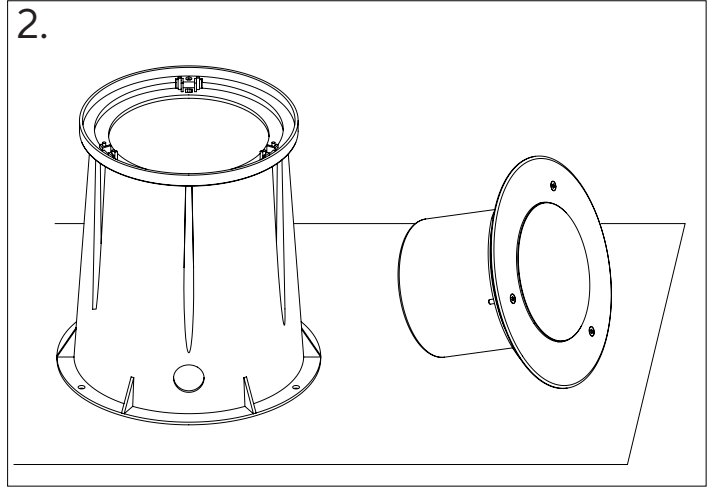
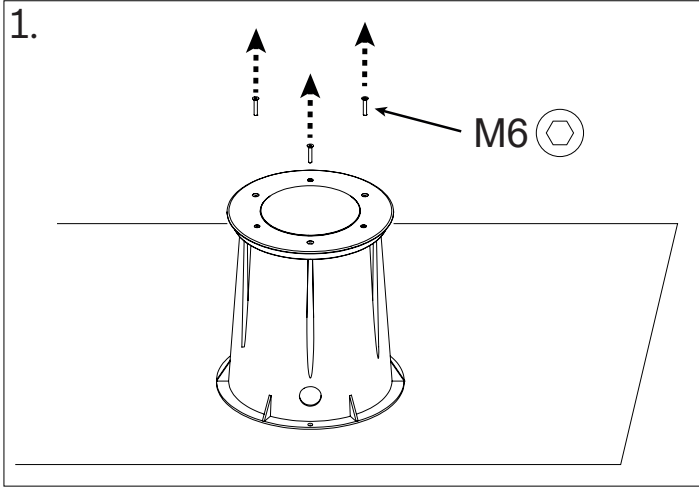


WARNING ! Fixing and connecting operations must mandatorily be carried out by qualified personnel only !

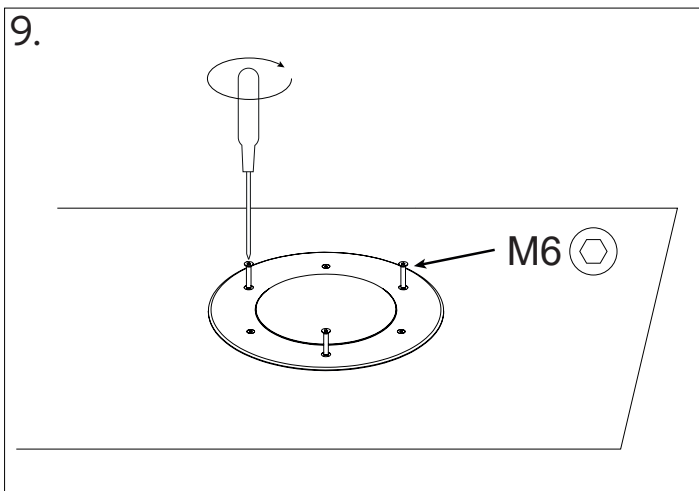
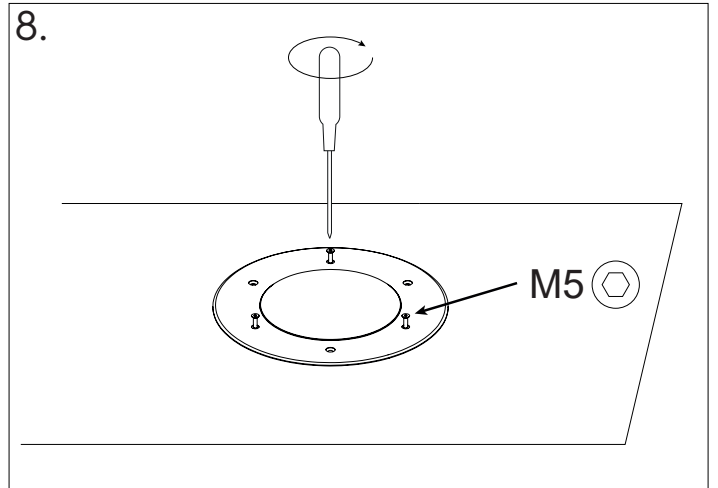
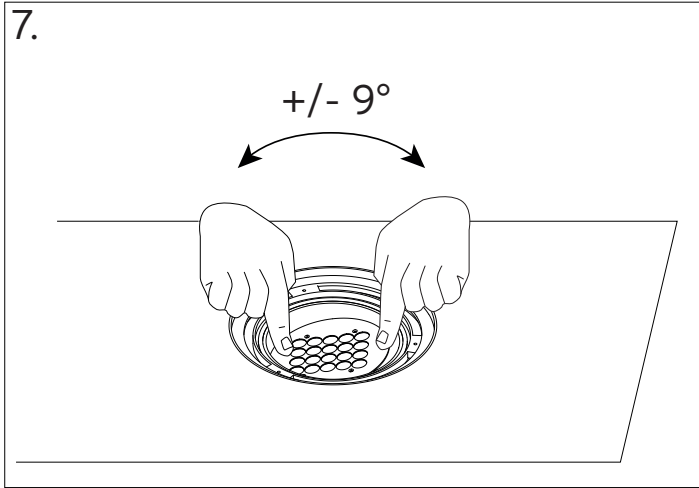


WARNING ! Make sure that power supply is off before connecting or disconnecting fixtures !

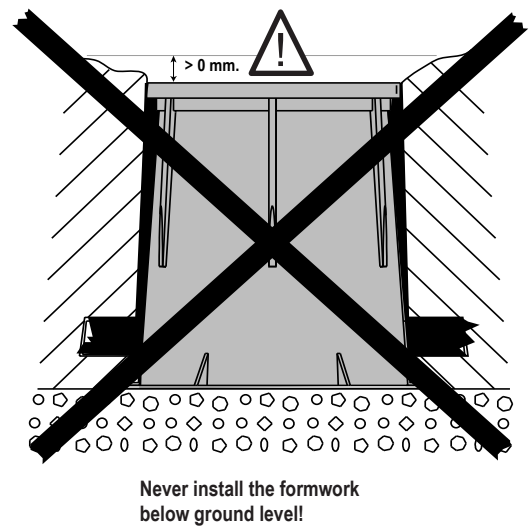
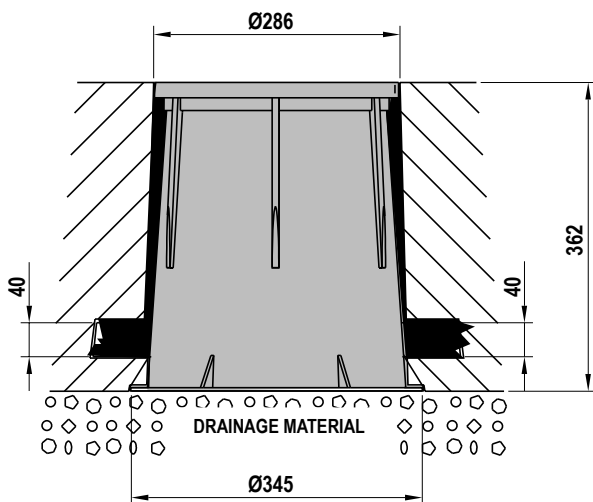
Installation



Installation



Formwork Installation



Connecting

-The power and signal connections can be carried out by using the connection kit enclosed in the box. Follow the instructions provided along with the connection kit.

*DMX cable type: 2x0.34 mmq, shielded, impedance 110Ω, capacity 43pF/m, resistance 50Ω/Km.

DMX INPUT*

RED (DATA+)
WHITE (COMMON)
BLACK (DATA-)

BROWN (L-Live)
GREEN-YELLOW (GND)
BLUE (N-Neutral)

POWER IN

Mains Power: 100-240 VAC 50/60Hz

*DMX cable type: 2x0.34 mmq, shielded, impedance 110Ω, capacity 43pF/m, resistance 50Ω/Km.

DMX OUTPUT*

RED (DATA+)
WHITE (COMMON)
BLACK (DATA-)

BROWN (L-Live)
GREEN-YELLOW (GND)
BLUE (N-Neutral)

POWER OUT

Mains Power: 100-240 VAC 50/60Hz

Beam Aiming

-Beam angle can be varied from -9° to $+9^{\circ}$. Remove all the screws from the flange and move the LED surface by pushing it with your fingers. Once achieved the aiming required, it is recommended to power up the opened fixture for few minutes in order to let escape the internal moisture, then close it. This procedure is highly recommended every time the opening of the fixture is needed.

